

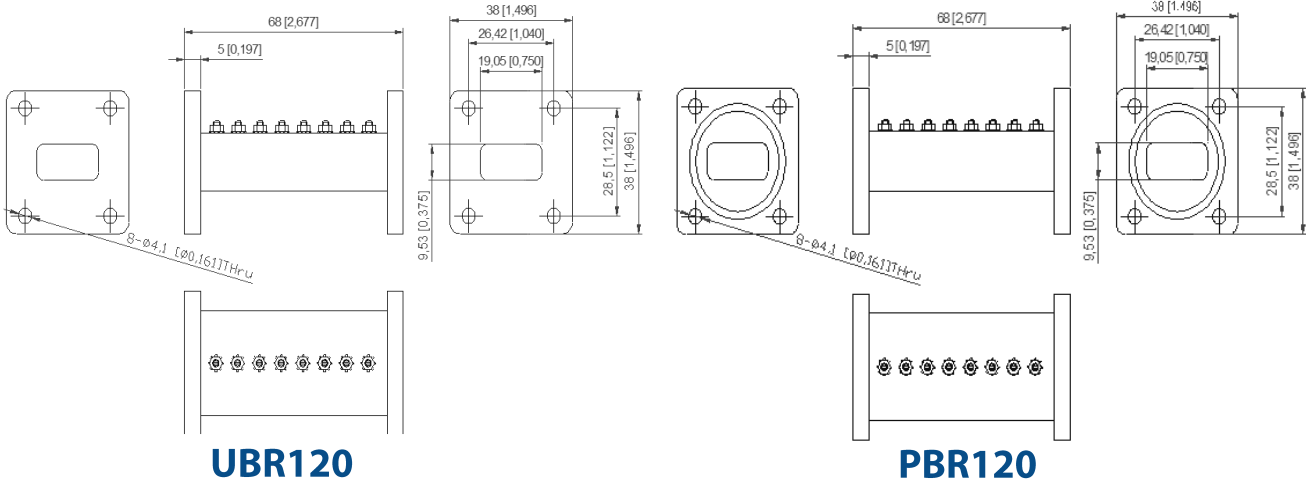


Model Number:
F-WGBPK1-7045

RF Components

Ku-Band Waveguide Filter

10.7 - 12.75 GHz



Filter

RF Parameters	
F-WGBPK1-7045	UBUB/PBPB
Waveguide Size	WG17 / WR75 / R120
Frequency Range (MHz)	10700-12750
Insertion Loss (dB)	≤0.4
Return Loss (dB)	≥17.6
Rejection (dB)	≥70@13750-14500MHz
Power (W)	100
Temperature	-30~+65°C
Flange	WR75 (UBR120) OR PBR120

Broadcast



Marine Oil & Gas



SNG & VSAT



Satellite Teleport

